



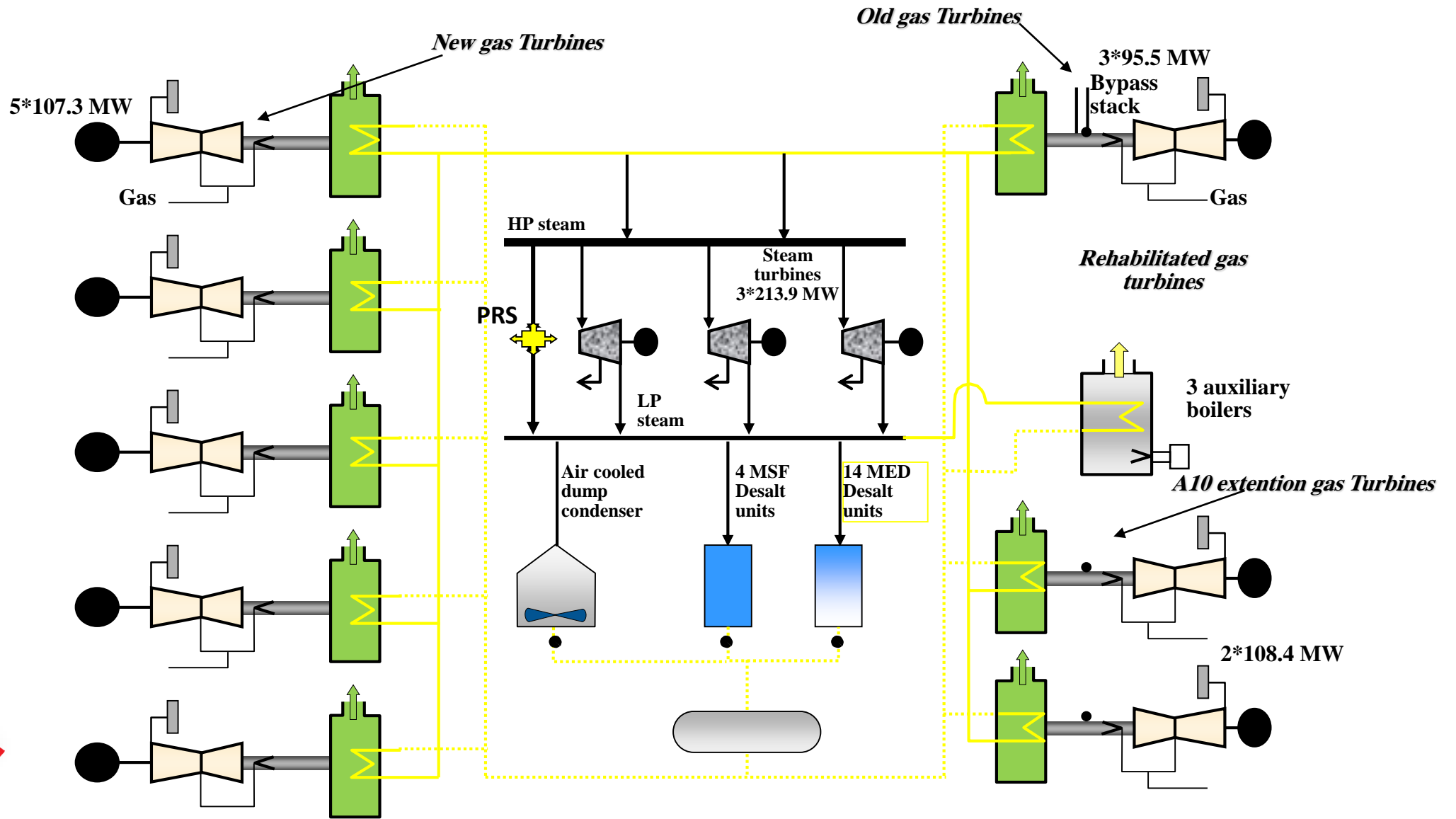
Plant Technical sheet

Plant Technical Information

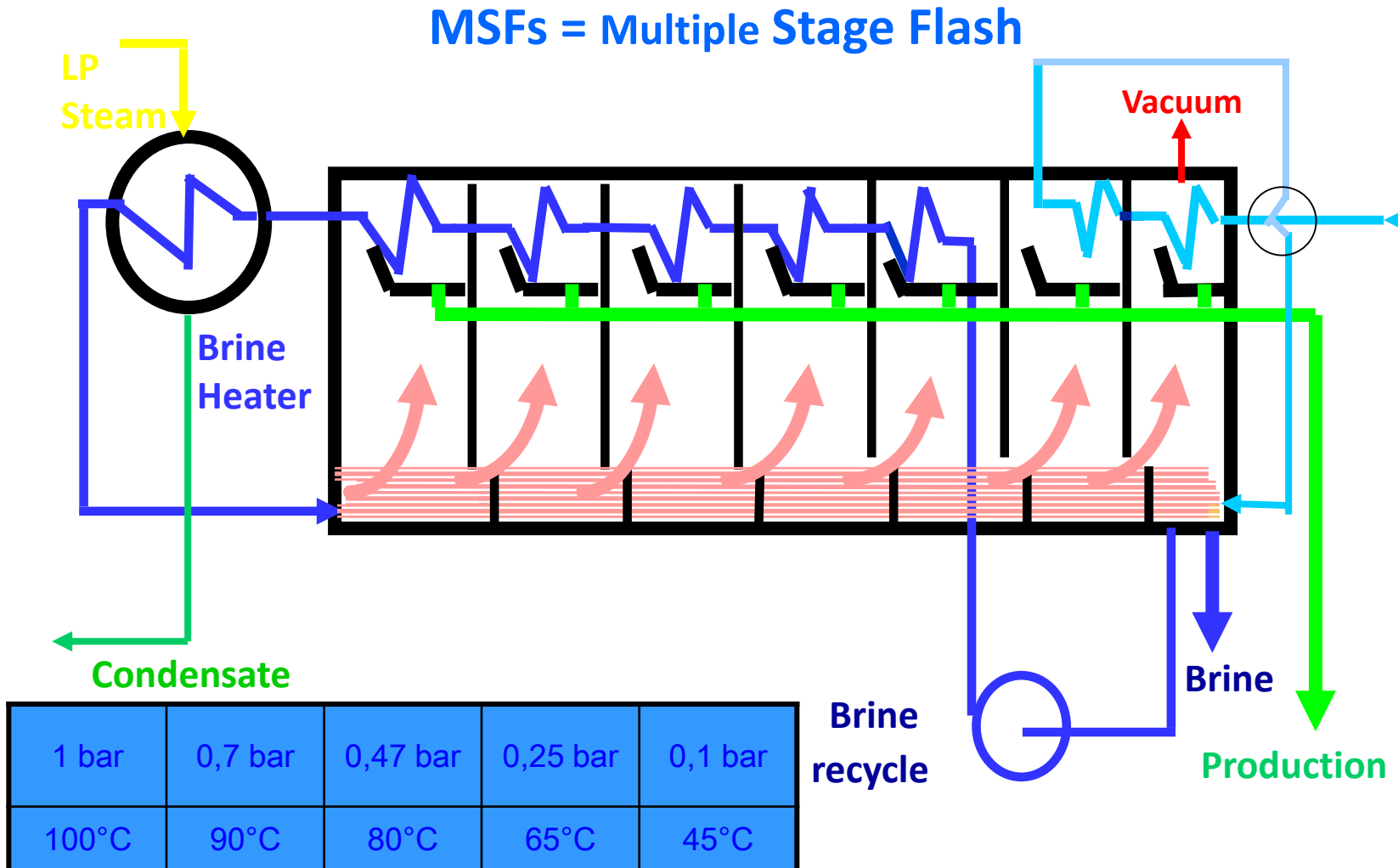
Gas Turbines (GE frame 9E)	10
Heat Recovery Steam Generator (HRSG)	10
Steam turbines (Back pressure type)	3
Auxiliary Boilers	3
Desalination units of MSF process	4
Desalination units of MED process	14
Plant Gross Water Capacity (MIG/day)	84.8
Plant Gross Power Capacity (MW)	1,672.5



Plant Process



Desalination Process MSF



Desalination Process: MEDs

Multiple Effect Distillation

